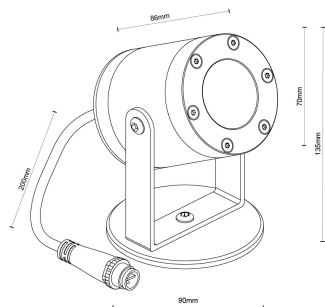


Underwater Light 5 Connector Series Bronze


Data Sheet



Physical Specification

| | |
|-----------------------|--|
| Body | Quality corrosion resistant brass construction. |
| Lens | Clear tempered glass. |
| Reflector | High efficiency, reflective coated polycarbonate. 40ø reflector fitted Standard. 20ø/60ø optional. Refer to Custom Configuration Matrix. |
| Mounting Options | Surface mount submersed. Fitted mounting base included. |
| Weight (kg) | 1 |
| Operating Temperature | -20øC to +50øC |
| IP Rating | IP68 |

Electrical Specification and Performance

| | |
|---------------------|--|
| Input Voltage | 24VDC. |
| Total Load | 4 watts. >90 lumens per watt. |
| Driver | Driver onboard technology. |
| Remote Power Supply | Recommended Meanwell HLG Series 24VDC constant voltage (sold separately). Consider adding remote control and constant voltage. |
| Control | Requires clean on/off signal. If switching via automation relays use on/off. Do not use dimming relays as these may leak residual voltage. |
| Dimming | Triac or Dali available with approved Power Supply and compatible dimming control. |
| Certifications |  |

Finishes



■ BZE Bronze

Installation Instructions

Surface or submersible. Fitted mounting base included.
 Refer to Product Page or Technical Resources page to download Installation Sheet.

Underwater Light 5 Connector Series Bronze

Data Sheet

Standard or Custom Configurations

Standard range - locally stocked item

Designed to suit a variety of residential and landscaping applications the Standard range is readily available from your local Distributor. To identify your unique ordering code simply add your chosen finish to the end of the code matrix or copy the standard item code below to order:

GANL-UW5CS-4W-2700-40D-BZE

| GANL | UW5CS | 4W | 2700 | 40D | BZE |
|------------|--------|------------|------------------|-----------|--------|
| GAN PREFIX | SERIES | TOTAL LOAD | LIGHT SOURCE (K) | REFLECTOR | FINISH |
| GANL | UW5CS | 4W | 2700 | ▼ 40D | ■ BZE |

Custom configuration - commercial specification

If required, we can provide a Custom solution to suit your large residential or commercial project. The following code matrix shows the options available for customisation. For information, speak to your local Commercial Distributor. To assist with specification, simply refer to the GANX item code below:

GANX-UW5CS-4W-X-CV-24VDC-2700-80-40-BZE-X-CL

Stocked Commercial Distributor configuration shown below or Distributor customisation can be configured using this matrix.

| GANX | UW5CS | 4W | X | CV | 24VDC | 2700 | 80 | 40 | BZE | X | CL |
|------------|--------|------------|---------|------------|---------------|------------------|-----|-----------|--------|------------|------|
| GAN PREFIX | SERIES | TOTAL LOAD | DIMMING | INPUT TYPE | INPUT VOLTAGE | LIGHT SOURCE (K) | CRI | REFLECTOR | FINISH | HEX LOUVRE | LENS |
| GANX | UW5CS | 4W | D | CV | 24VDC | 2700 | 80 | ▼ 20D | ■ BZE | ■ HX | ○ CL |
| | | | X | | | 3000 | 90 | ▼ 40D | | | |
| | | | | | | 4000 | 90 | ▼ 60D | | | |

Dimming: Triac or Dali available with approved Power Supply and compatible dimming control

Underwater Light 5 Connector Series Bronze

Data Sheet

Light Performance

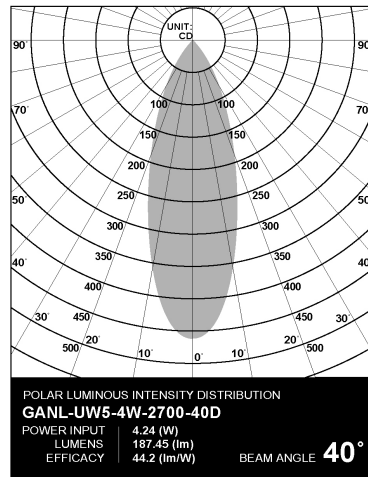
Photometrics

Photometrics

Diagram is based on test results as referred. Refer to Technical Resources page to view Photometric Diagram where applicable.

IES

IES Refer to Technical Resources page to download IES file.



Warranty

5 years.

Refer to Technical Resources page to download Warranty Statement.

Wiring Guide

Refer to Technical Resources page to download Wiring Diagram/s.

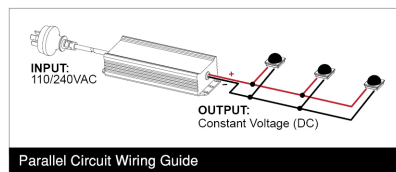


Diagram is a guide only. Wire colours and polarity may change depending on fixture and country.

Underwater Light 5 Connector Series Bronze

Data Sheet

Accessories

Associated accessories sold separately. Refer to Accessories.



CONNECTOR
SERIES 1M
EXTENSION



CONNECTOR
SERIES 3M
EXTENSION



CONNECTOR
SERIES 15M
FIELD CABLE



CONNECTOR
SERIES 30M
FIELD CABLE



CONNECTOR
SERIES 2-
WAY
JUNCTION

Related Items for Installation

The following items are available to assist with installation and/or warranty compliance.



DC CABLE
2.9MM² 100M



ADHESIVE
LINED END
CAP 12-4MM
50 PIECES



ADHESIVE
LINED TUBE
24-6MM X
110MM 10
PIECES



POWER
SUPPLY
UNIT 60W

Related Fittings in Range

The following fittings are also available in the Underwater Lights range.



UNDERWATER
LIGHT 8
CONNECTOR
SERIES
BRONZE